

# ALFA



## 5 MINUTI

## LEGNA - WOOD

**COPPER**  
FX5MIN-LRAM-T

**ANTIQUE RED**  
FX5MIN-LROA-T



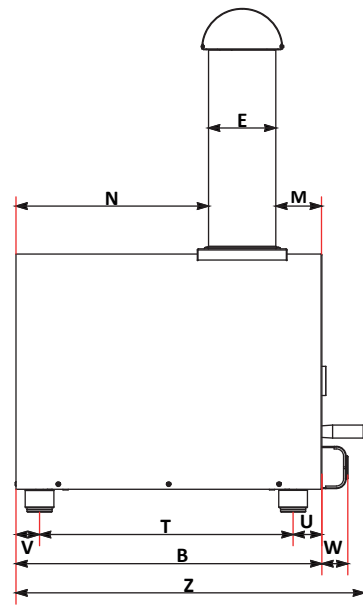
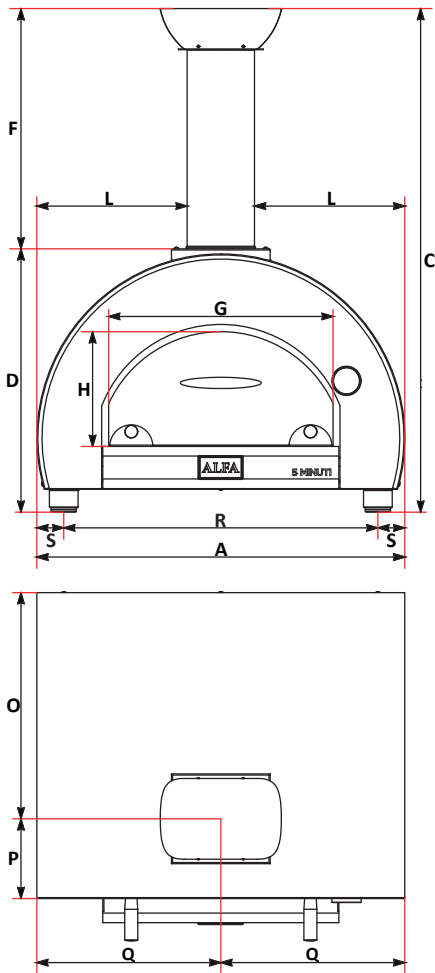
conforme a UNI 10474 e EN 13229  
UNI 10474 and EN 13229 compliant



### CARATTERISTICHE TECNICHE - TECHNICAL DETAILS

<b>Peso</b> <i>Weight</i>	80 kg 176 lbs	<b>Materiali utilizzati</b> <i>Used material</i>	lamiera ferro. acciaio inox. fibra ceramica <i>iron sheet. stainless steel. ceramic fiber</i>
<b>Area piano forno</b> <i>Oven floor area</i>	0.32 m <sup>2</sup> 3.2 ft <sup>2</sup>	<b>Tipo di refrattario</b> <i>Type of refractory</i>	Tavella silico-alluminoso <i>Alumina silicate bricks</i>
<b>Dim. piano forno</b> <i>Oven floor dim.</i>	60 x 50 cm 23.6 x 19.6 in	<b>Combustibile consigliato</b> <i>Recommended fuel</i>	Ciocchi diam. Max 5 cm. potature <i>Max 1.9 In diam. logs. trimmings</i>
<b>Minuti per scaldare</b> <i>Heating time (min)</i>	15	<b>Carica nominale</b> <i>Rated charge</i>	6.9 kg/h 15.2 Lbs/h
<b>N° pizze alla volta</b> <i>Pizza capacity</i>	2	<b>Tiraggio minimo</b> <i>Minimum flue draught</i>	10 Pa
<b>Infornata di pane</b> <i>Bread capacity</i>	2 kg 4.4 lbs	<b>Flusso volumetrico fumi</b> <i>Flue smokes mass flow</i>	57.7 g/s
<b>Temperatura massima</b> <i>Max oven temperature</i>	500°C 1000°F	<b>Emissioni CO al 13% O<sub>2</sub></b> <i>CO emission at 13% O<sub>2</sub></i>	0.31% 3843 mg/Nm <sup>3</sup>
<b>Consumo medio</b> <i>Average fuel consumption</i>	2.5 kg/h 5.5 lbs/h	<b>Temperatura fumi</b> <i>Smoke temperature</i>	395°C 743°F

## MISURE - DIMENSIONS



A	82 cm 32.3 in	O	50.4 cm 19.8 in
B	68.2 cm 26.6 in	P	23.1 cm 9.1 in
C	112.2 cm 44.2 in	Q	41 cm 16.1 in
D	58.7 cm 23.1 in	R	70 cm 27.6 in
Ø E	15 cm 5.9 in	S	6 cm 2.4 in
F	53.5 cm 21.1 in	T	56.5 cm 22.2 in
G	50 cm 19.7 in	U	6.4 cm 2.5 in
H	25.5 cm 10 in	V	5.3 cm 2.1 in
L	33.5 cm 13.2 in	W	5.78 cm 2.25 in
M	10.3 cm 4.1 in	Z	77.7 cm 30.6 in
N	42.9 cm 16.9 in		

## PARTI DI RICAMBIO - SPARE PARTS

Descrizione Description		Codice Code
Comignolo Chimney cap	A	SPZP_01_024
Canna fumaria Chimney	B	TI150_500_SAT
Sportello Door	G	SFMN_01_031
Flangia Flange	H	SFMN_01_070
Carter esterno External shell	I	SCRT-01-027-RA
Carter esterno External shell	I	SCRT-01-027-RO
Termometro Thermometer	J	YT63-135
Mattoni 30x20 cm Red bricks 30x20 cm	K	RRA3020
Gasbeton	L	FCGSD60-2515
Piedini Feet (n.4)	M	SETPIE-M10X20
Logo Alfa (v1.0)	N	D14PLAC-ALFA
Archetto Arch	Q	SSML-01-045
Davanzale Sill	R	SSML-01-046

